

(Time: 3 hours)

(Total Marks: 80)

- N.B. 1. Question No. 1 is compulsory
 2. Attempt any **three** questions from remaining five questions
 3. Assume suitable data if **necessary** and justify the assumptions
 4. Figures to the **right** indicate full marks

| | | | |
|----|---|--|----|
| Q1 | a | Draw the Detailed Von- Neumann architecture and explain in brief | 05 |
| | b | Explain IEEE-754 Floating point Representation | 05 |
| | c | Explain the difference between Encoder and decoder | 05 |
| | d | Differentiate between Hardwired control unit and Micro programmed control unit | 05 |
| Q2 | a | List out the basic and universal logic gates with the symbol, truth table, output expression | 05 |
| | b | What do you mean by BCD? Perform $792 + 128$ using BCD addition | 05 |
| | c | Explain the various Addressing Modes | 10 |
| Q3 | a | What is the difference between Computer organization and Computer architecture explain it with a example | 05 |
| | b | List & explain the characteristics of memory | 05 |
| | c | Draw the Flowchart for the Booth's Algorithm for signed integer multiplication and perform the multiplication between -6 and 2 using this Algorithm | 10 |
| Q4 | a | List the various methods to design the Hardwired control unit and explain any one | 05 |
| | b | Explain the Micro instruction format | 05 |
| | c | Explain Flynn's Classification | 10 |
| Q5 | a | List and explain the various pipeline Hazards | 05 |
| | b | Write a microprogram to represent the Interrupt cycle | 05 |
| | c | Consider a 2-way set associative mapped cache of size 16 KB with block size 256 bytes. The size of main memory is 128 KB. Find- 1. Number of bits in tag 2. Tag directory size | 10 |
| Q6 | a | Represent -7.14 using double precision format of IEEE 754 standards | 05 |
| | b | Explain the concept of locality of reference | 05 |
| | C | Explain the various Bus arbitration methods | 10 |

Duration: 3 Hours

Total Marks 80

N.B: 1) Question **number 1** is compulsory.

2) Attempt **any three** out of the remaining.

3) Assume suitable data if **necessary** and justify the assumptions.

4) Figures to the **right** indicate full marks.

Q.1 Attempt any four

20

- i. Give applications of Computer Graphics.
- ii. What is an antialiasing? Explain any 3 antialiasing techniques.
- iii. Compare DDA and BRESENHAM line drawing algorithm.
- iv. Explain Viewing transformation pipeline.
- v. Give fractal dimension of Koch curve.

Q.2

20

- a. Given a line AB where A(0,0) and B(1,3) find out all the coordinates of line AB using DDA algorithm.
- b. Describe different traditional animation techniques.

Q.3

20

- a. Describe homogeneous coordinates.
- b. Describe with neat diagram Boundary Fill and Flood fill algorithm.

Q.4

20

- a. Derive window to viewport coordinate transformation.
- b. Derive matrix for 2D rotation at any arbitrary (fix) point.

Q.5

20

- a. Give properties of Bezier curve.
- b. Describe with neat diagram Sutherland Hodgman polygon clipping algorithm.

Q.6

20

- a. Describe with neat diagram Depth Buffer algorithm.
- b. What is projection? Explain with neat diagram different perspective projections.

Time: 3 hours

Marks: 80

N.B. (1) Question No. 1 is compulsory.

(2) Answer any three questions from Q.2 to Q.6.

(3) Use of Statistical Tables permitted.

(4) Figures to the right indicate full marks

Q1 A If $f(t) = (\sqrt{t} + \frac{1}{\sqrt{t}})^2$, find $L[f(t)]$ and hence find $L\{e^{2t}f(t)\}$ 5

B Find $L^{-1}\{\frac{1}{s(s^2+4)}\}$ 5

C Obtain half-range cosine series for $f(x) = x(2-x)$ in $0 < x < 2$ 5

D Find moment generating function of the following distribution. Hence find mean and variance. 5

| | | | | |
|------|-----|-----|-----|-----|
| X | 1 | 3 | 4 | 5 |
| P(X) | 0.4 | 0.1 | 0.2 | 0.3 |

Q2 A Find the orthogonal trajectories of the family of curves $e^{-x}[x \sin y - y \cos x] = c$ 6

B Find $L\{t(\frac{\cos t}{e^t})^2\}$ 6

C Find the Fourier series expansion for $f(x) = 2, -2 < x < 0.$
 $= 0, 0 < x < 2$ 8

Hence deduce that $\frac{\pi^2}{8} = \frac{1}{1^2} + \frac{1}{3^2} + \frac{1}{5^2} + \dots$

Q3 A Find $L^{-1}\{\log(1 - \frac{1}{s^2})\}$ 6

B Find the analytic function $f(z) = u + iv$ where $u + v = \frac{\sin 2x}{\cosh 2y - \cos 2x}$, using Milne-Thompson's Method. 6

C Fit a parabola $x = a + by + cy^2$ for the following data: 8

| | | | | | |
|-----|----|----|----|----|----|
| X : | 1 | 2 | 3 | 4 | 5 |
| Y : | 10 | 12 | 15 | 14 | 15 |

- Q4 A The first 4 moments of a distribution about origin of the random variable X are -1.5, 17, -30 and 108. Compute Mean, variance, μ_3 and μ_4 . 6
- B Consider the equations of regression lines $5x-y=22$ and $64x-45y=24$. Find \bar{x} , \bar{y} and correlation coefficient r. 6

C Find $L^{-1}\left\{\frac{(s+3)^2}{(s^2+6s+13)^2}\right\}$ 8

- Q5 A Find the Laplace transform of $\cos^3 t \cos 5t$. 6
- B Find Spearman's rank correlation coefficient for the data below: 6

| | | | | | | | | | | |
|-----|----|----|----|----|----|----|----|----|----|----|
| X : | 32 | 55 | 49 | 60 | 43 | 37 | 43 | 49 | 10 | 20 |
| Y : | 40 | 30 | 70 | 20 | 30 | 50 | 72 | 60 | 45 | 25 |

- C Obtain Fourier Series for $f(x) = \frac{1}{2}(\pi - x)$ in $(0, 2\pi)$. 8
- Hence, deduce that $\frac{\pi}{4} = 1 - \frac{1}{3} + \frac{1}{5} - \frac{1}{7} + \dots$

- Q6 A If $f(x)$ is probability density function of a continuous random variable X, find k, mean and variance. 6

$$f(x) = \begin{cases} kx^2, & 0 \leq x \leq 1 \\ (2-x)^2, & 1 \leq x \leq 2 \end{cases}$$

- B Check if there exists an analytic function whose real part is $u = \sin x + 3x^2 - y^2 + 5y + 4$. Justify your answer. 6

- C Evaluate the following integral by using Laplace transforms 8

$$\int_0^{\infty} e^{-2t} \left[\int_0^t \left(\frac{e^{3u} \sin^2 2u}{u} \right) du \right] dt$$

Duration: 3 Hours

Total Marks: 80

- N.B. :** 1) Question Number 1 is compulsory
 2) Solve any three questions from the remaining questions
 3) Make suitable assumptions if needed
 4) Assume appropriate data whenever required. State all assumptions clearly.

Q.1

Solve any four of the following questions.

- a. What is a tautology? Check whether the following logical expression is tautology? 5

$$[(p \rightarrow r) \wedge (\sim q \rightarrow p) \wedge \sim r] \rightarrow q$$
- b. State the Pigeonhole principle and show that if any five numbers from 1 to 8 are chosen, then two of them will add to 9. 5
- c. Convert the following into CNF form. 5

$$(A \rightarrow B) \rightarrow ((B \rightarrow C) \rightarrow (A \rightarrow C))$$
- d. Given $S = \{1, 2, \dots, 10\}$ and a relation R on S , where $R = \{(x, y) \mid x + y = 10\}$. Is it reflexive, symmetric, transitive, antisymmetric? 5
- e. Define the following terms 5
 1. Planer graph 2. Cut Vertex 3.Chain 4. Monoid 5.Group

Q.2

- a. Let $A = \{p, q, r, s\}$ and let $R = \{(p, p), (p, q), (p, r), (q, p), (q, q), (r, p), (q, r), (r, q), (r, r), (s, s)\}$. Show that R is an equivalence relation. Determine the equivalence classes and find the rank of R . 8
- b. Show that $A = \{0, 3, 6, 9, 12\}$ is a ring w.r.t. the operation of addition & multiplication modulo 15. 8
- c. Explain two different types of Quantifiers with example? 4
 Represent the following sentences using First Order logic
 i) Some students took GenAI.
 ii) Every student who takes GenAI passes it.

Q.3

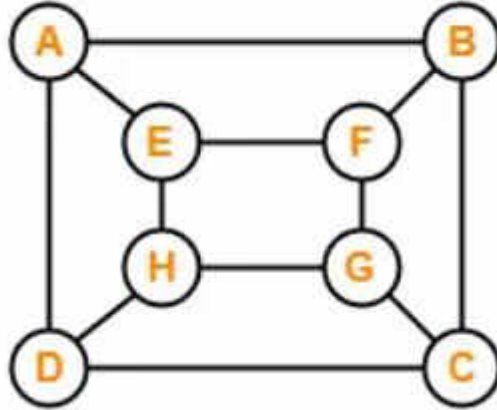
- a. What is an Abelian Group? Let $G = \{1, 2, 3, 4, 5, 6, 7\}$ 8
 i) Prepare the composition table w.r.t the operation of multiplication modulo 8.
 ii) Check whether it is an Abelian group? Justify your answer.
- b. Define minimum hamming distance. Find the code words generated by the parity check matrix H given below. 8

$$H = \begin{pmatrix} 1 & 0 & 1 \\ 0 & 1 & 1 \\ 1 & 1 & 0 \\ 1 & 0 & 0 \\ 0 & 1 & 0 \\ 0 & 0 & 1 \end{pmatrix}$$

c

4

Determine whether the following graph is Eulerian or Hamiltonian or both. Justify your answer.



Q.4 a

Define function. What are three different types of functions.. Consider the function f and g from $N \times N$ to N given by $f(x,y) = 2x+y$ and $g(x,y) = xy$, identify its type.

8

b

Let $A = \{a,b,c,d,e\}$ and let R be a relation on A .
Let $R = \{(a,a), (a,c), (b,b), (c,d), (c,e), (d,a), (e,b), (e,e)\}$
Compute transitive closure using Warshall's algorithm

8

c

Prove using Mathematical Induction that sum of cubes of three consecutive integers is divisible by 9.

4

Q.5 a

Let $X = \{1,2,3,4,6,24,36,72\}$ and $R = \{(x,y) \in R \mid x \text{ divides } y\}$

8

- i) Write the pairs in a relation set R .
- ii) Construct Hasse diagram.
- iii) Mention Chains and Anti Chains from above set.
- iv) Is it a lattice?

b

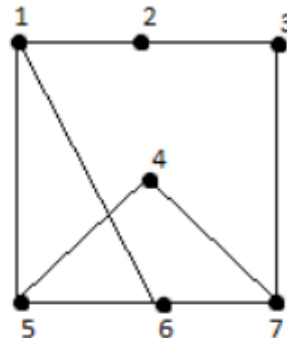
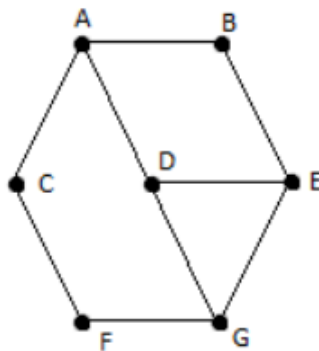
Find the number of integers between 1 to 500 that are not divisible by 5,6, or 8?

8

c

Check whether the following graphs are Isomorphic or not? Justify

4



- Q.6.**
- a** Draw the Hasse Diagram of D_{72} **8**
 - i) Find the complement of each element
 - ii) Check whether it is a Distributive Lattice
 - b** Let $f(x) = x + 3$, $g(x) = x - 3$ and $h(x) = 3x$ for $x \in \mathbb{R}$, where \mathbb{R} is the set of real numbers. **8**
 - Find i) $g \circ h$ ii) $f \circ g$ i) $g \circ h \circ f$ ii) $f \circ h \circ g$
 - c** Find the generating functions for the following sequences: **4**
 - a. 0, 0, 0, 1, 2, 3, 4, 5, 6, 7,.....
 - b. 6, -6, 6, -6, 6, -6,.....
-